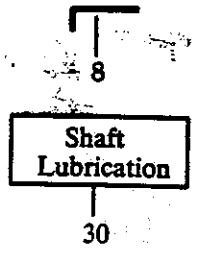
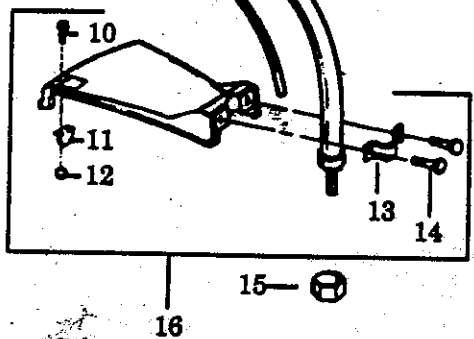
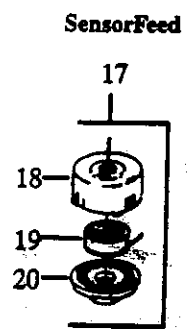
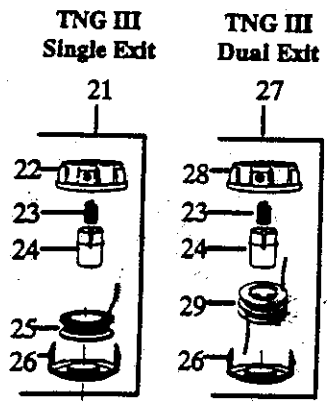
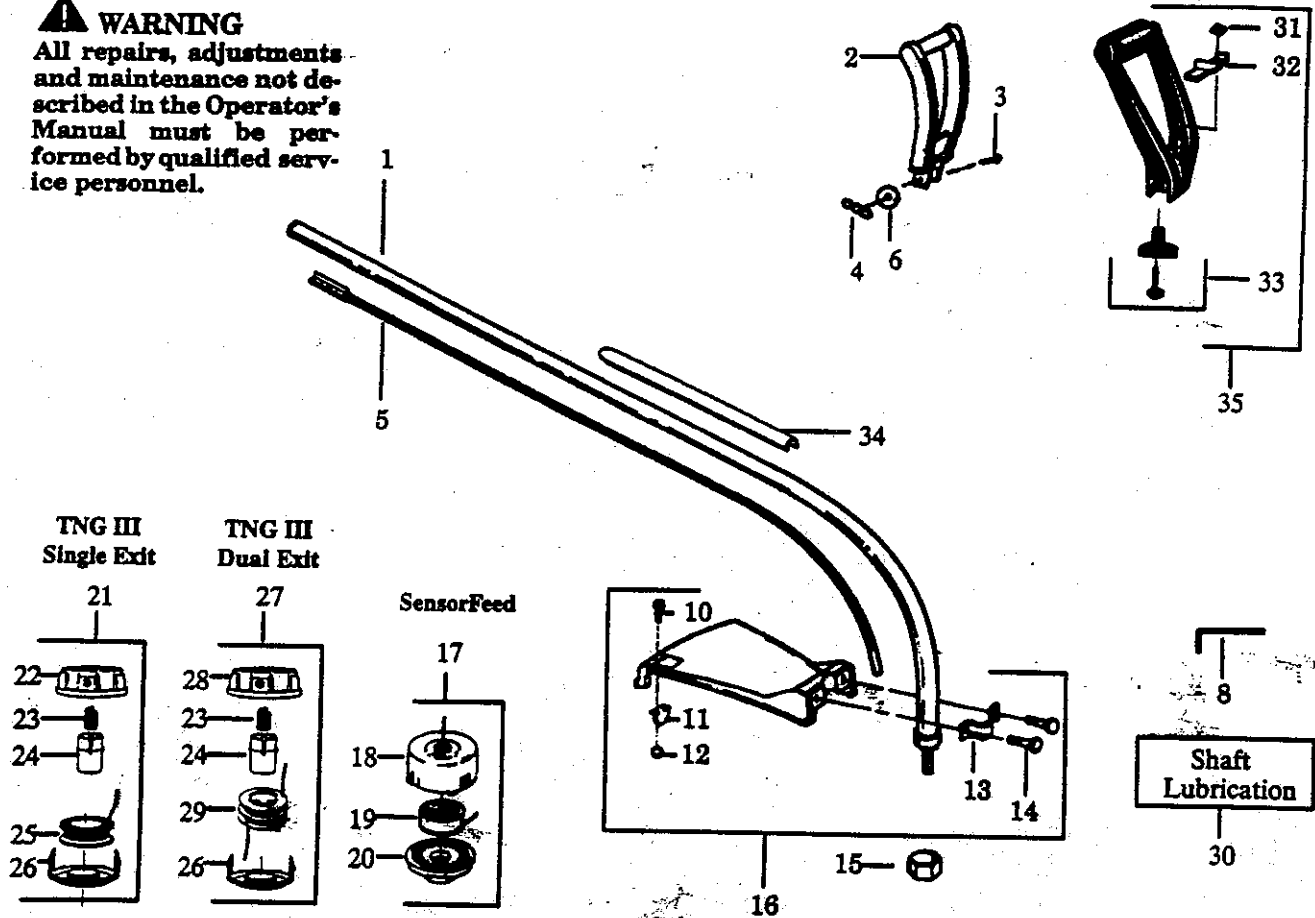


PARTS LIST NO. 530-083544		WEED EATER® PARTS LIST	Trimmer Model(s) GTI 16, 16D, 16 Super & 17LE
DATE 6/1/95	REPLACES 530-067321-2/15/94 530-081951-2/15/94		Note: Illustration may differ from actual model due to design changes

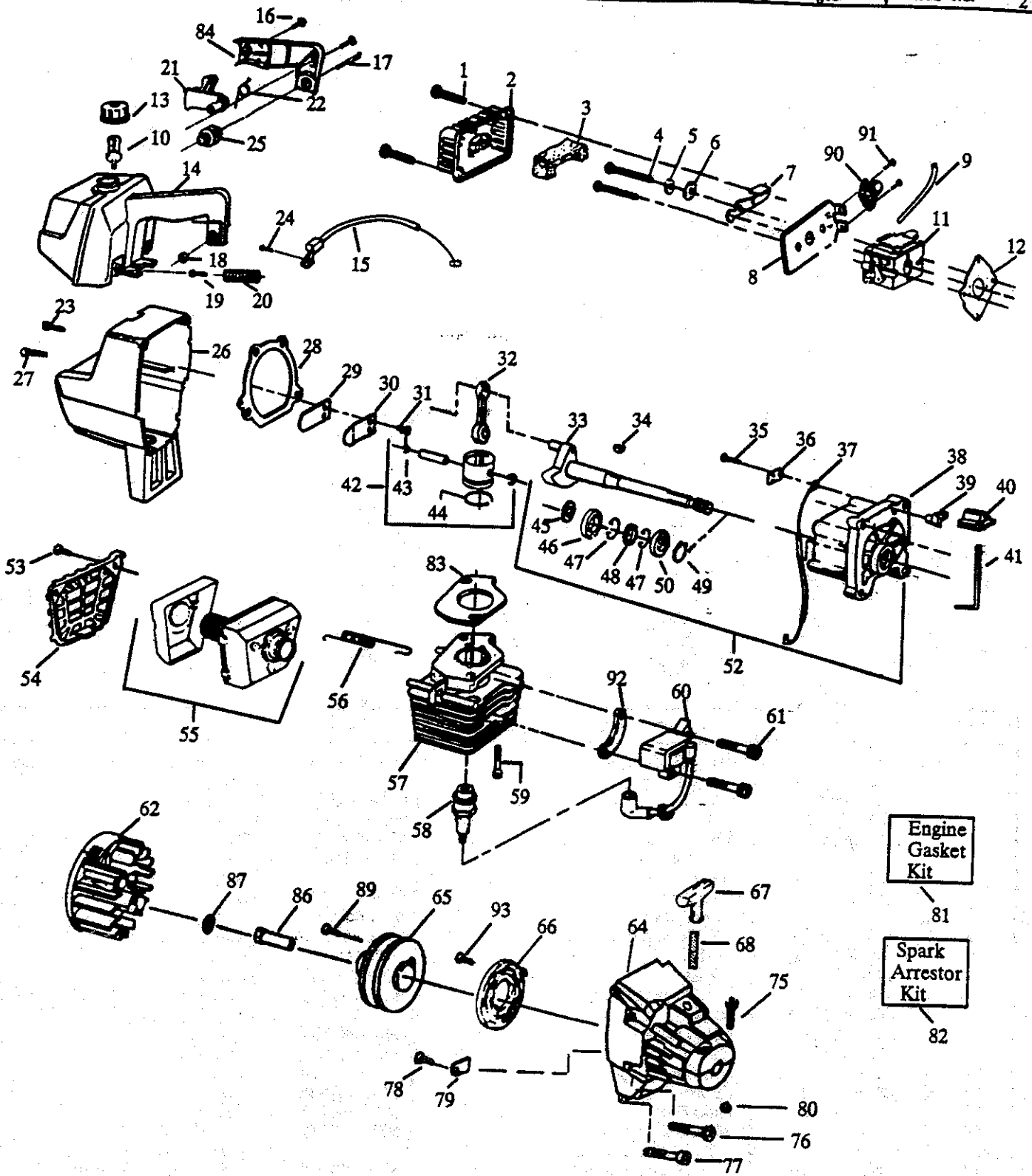
⚠ WARNING
All repairs, adjustments and maintenance not described in the Operator's Manual must be performed by qualified service personnel.



Ref.	Part No.	Description	Ref.	Part No.	Description
1	-	Drive Shaft Housing 16 & 16 Super	17	953-701605	Cutting Head Ass'y--16 Super (Incl. 18-20)
	530-094680	17LE	18	530-094592	Hub Ass'y
	530-095133	16 D	19	952-701607	Spool w/Line
2 ✓	530-095342	Assist Handle	20	530-094494	Cover
	530-010957	16 Type 1 & 2	21	952-701628	Cutting Head Ass'y--16 & 17LE (Incl. 22-26)
	530-340228	Screw	22	530-094878	Hub Ass'y
	530-091373	Wing Nut	23	530-094830	Spring
3	-	Drive Shaft	24	530-094827	Release Button
4 ✓	530-094676	16, 16 Super & 16 D	25	952-701619	Spool w/Line
5	530-094742	17LE	26	530-094828	Cover
	530-092062	Washer	27 ✓	952-701684	Dual Line Cutting Head--16D (Incl. 23, 24, 26, 28 & 29)
	530-031111	Hex Wrench (5/32")	28 ✓	530-069695	Hub Ass'y
	530-015337	Screw	29 ✓	952-701665	Dual Spool w/Line
8	530-094570	Line Limiter	30	952-030139	Shaft Lubrication
10	534-235901	Nut	31	530-015820	Screw
11	530-093653	Bracket	32	530-094742	Clamp
12 ✓	530-016107	Screw	33	530-069252	"T" Handle Kit
13	530-094543	Dust Cup	34	-	Decal--Drive Shaft
14	-	Shield Kit Ass'y. (Incl. 10-12 & 14)		530-029159	16, 17LE & 16 Super
15 ✓	530-069249	16, 16 Super & 16 D		530-038907	16 D
	530-069299	17LE	35 ✓	530-069496	Cushioned Assist Handle Kit 16 Super, 17LE, 16D & 16 Type 3

✓ = NEW PART NUMBER FOR THIS IFL * = REFER TO THE SERVICE REFERENCE INDICATED FOR MORE INFORMATION. (LOCATED AT END OF IFL)
● = THESE PARTS ARE ILLUSTRATED FOR CLARITY ORDER COMPLETE ASSEMBLY

PARTS LIST NO. 530-083544		WEED EATER® PARTS LIST	Trimmer Model(s) GT16, 16D, 16 Super & 17LE
DATE 6/1/95	REPLACES 530-067221-2/15/94 530-081951-2/15/94		Note: Illustration may differ from actual model due to design changes.



Engine Gasket Kit

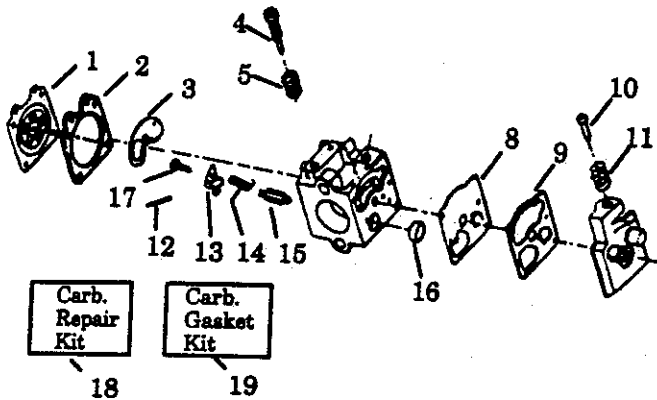
81

Spark Arrestor Kit

82

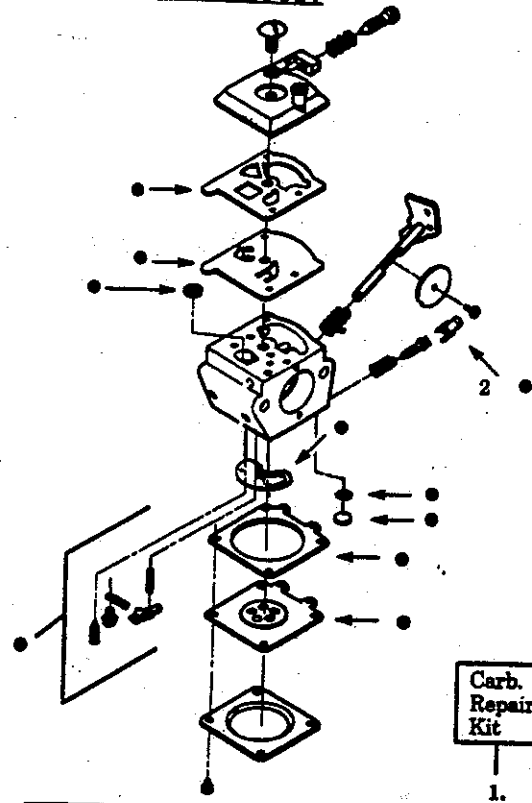
Carburetor Assembly

WA-207/207A



Ref.	Part No.	Description
1	530-035014	*+ Metering Diaphragm
2	530-035151	*+ Metering Diaphragm Gasket
3	530-035211	*+ Circuit Plate Gasket
4	530-035212	Mixture Needle
5	530-035214	Mixture Needle Spring
8	530-035166	*+ Fuel Pump Diaphragm
9	530-035164	*+ Fuel Pump Gasket
10	530-035203	Idle Speed Screw
11	530-035208	Idle Speed Spring
12	530-035028	* Metering Lever Pin
13	530-035031	* Metering Lever
14	530-035188	* Metering Lever Spring
15	530-035106	* Inlet Needle Valve
16	530-035178	* Fuel Inlet Screen
17	530-035016	* Metering Lever Pin Screw
18	530-035264	Carb. Kwik Repair Kit (*Indicates Contents)
19	530-035219	Carb. Gasket/Diaphragm Kit (+Indicates Contents)

WA-219B #530-069648
WA-217 #530-069637

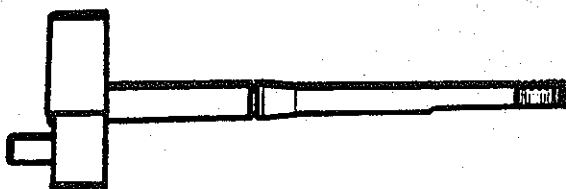


Ref.	Part No.	Description
1.	-	Carburetor Repair Kit (• Indicates Contents)
✓	530-069726	WA-217
✓	530-069667	WA-219B
2.	✓ 530-038404	Limiter Cap

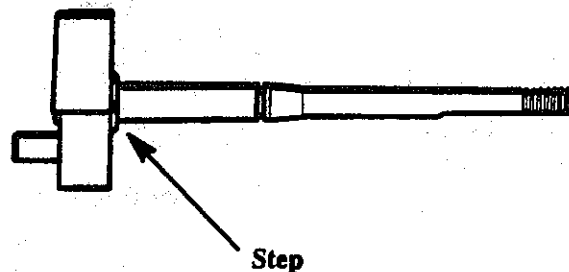
★SERVICE REFERENCE

1. **Crankshaft Spacer** – Earlier models equipped with the laminated crankshaft (shown on the left) requires Spacer #530-015788. Later models equipped with a step on the crankshaft (shown on the right), do not require the spacer.

Spacer Required



Spacer Not Required



✓ = NEW PART NUMBER FOR THIS IPL * = REFER TO THE SERVICE REFERENCE INDICATED FOR MORE INFORMATION. (LOCATED AT END OF IPL)
• = THESE PARTS ARE ILLUSTRATED FOR CLARITY. ORDER COMPLETE ASSEMBLY.